

SpectrAlert™ Ceiling Mount Series Strobes and Horn/Strobes



Models Available

Strobe Models

White	Red
SC2415W	SC2415
SC241575W	SC241575
SC2430W	SC2430
SC2475W	SC2475
SC2495W	SC2495
SC24115W	SC24115
SC24177W	SC24177

Horn/Strobe Models

White	Red
PC2415W	PC2415
PC241575W	PC241575
PC2430W	PC2430
PC2475W	PC2475
PC2495W	PC2495
PC24115W	PC24115
PC24177W	PC24177

Accessory Mounting Plates

White	Red
BBSCW	BBSC

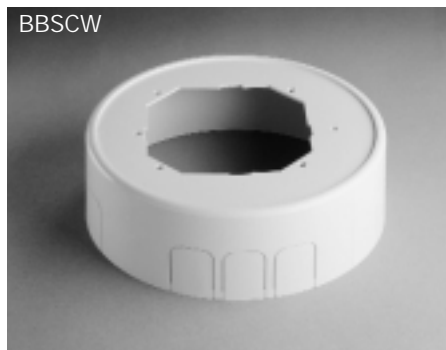
SC241575W



PC2475W



BBSCW



Product Overview

Lower current draw

Available in 15, 15/75, 30, 75, 95, 115, and 177 candela

Horn/strobe models include a three position switch for field-selecting horn tones:

- Electromechanical/3KHz
- Temporal 3/Non-temporal 3
- High/Low dBA output

Ceiling-specific shape, profile, and aesthetics

Synchronizable with MDL Sync • Circuit module

Mounts to 4"x4"x1½" back box

Round shape offers greater placement flexibility

System Sensor's SpectrAlert ceiling mount series strobes and horn/strobes offer a fresh approach to addressing the unique needs for ceiling mount applications.

Technology. Like the original SpectrAlert, the SpectrAlert ceiling mount series offer significant current draw reductions over other ceiling mount strobes and horn/strobes.

Flexibility. SpectrAlert ceiling mount strobes and horn/strobes are available in seven different candelas, including 177 candela for sleeping areas. The horn/strobe's tones are field-selectable through the use of a three position switch located on the back of the unit. Selections include electromechanical and 3 KHz tones, temporal 3 and non-temporal 3 patterns, and high and low volume.

Aesthetics. SpectrAlert ceiling strobes and horn/strobes offer a design that is sensitive to the aesthetic demands of ceiling mount applications. The round shape maintains a low profile appearance, similar to that of a smoke detector. Its stylish curves and design further refine the aesthetics over other generic wall/ceiling mount designs. Yet SpectrAlert's round shape provides clearly visible "FIRE" identification from all angles.

Installation. SpectrAlert's compact design also offers installation savings. The strobe and horn/strobe models mount to a 4"x4"x1½" back box, and take up little room in the back box, making connections easier. And with SpectrAlert's round shape, it is not necessary to align the back box with the room's walls. SpectrAlert always lines up.



General Specifications

Dimensions

6.8" diameter

Mounting

4"x4"x1½" back box

Indoor Operating Temperature

32° to 120° F (0° to 49°C)

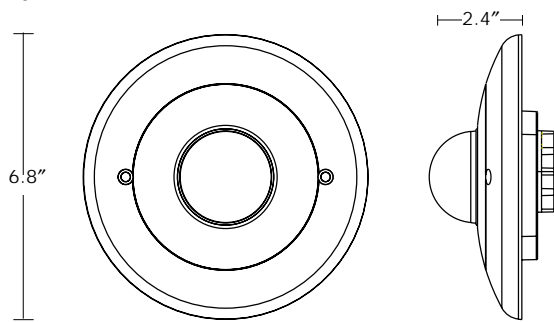
Max. humidity

95% as tested per UL464

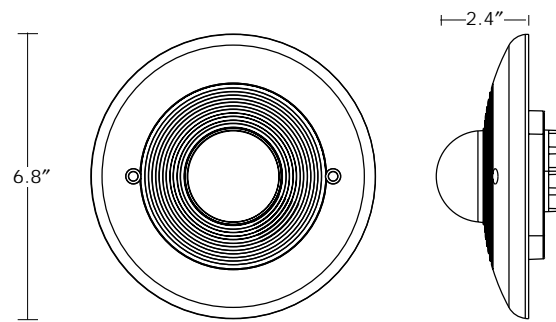
Weight

5.3 oz. (150 grams)

SpectrAlert Dimensions

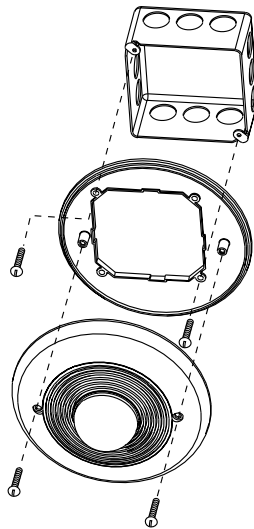


SpectrAlert Ceiling Mount Strobe

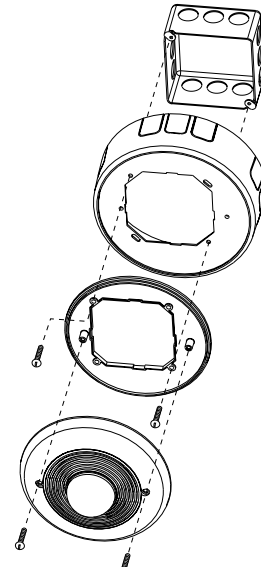


SpectrAlert Ceiling Mount Horn/Strobe

SpectrAlert Mounting Diagrams



Strobe or Horn/Strobe with Mounting Plate



Strobe or Horn/Strobe with Accessory Back Box Skirt

Electrical Specifications

Operating Voltage

24 VDC and FWR unfiltered

Operating Voltage Range

24V, 16–33 V

Note: 177cd models tested at 20–33 V FWR and 16–33 VDC

U.S. Patent Numbers

6,049,446

6,057,778

D424,465

Input Terminals

12 to 18 AWG

Operating Voltage Range w/Sync-Circuit Module

24V, 17–33 V

Note: 177cd models tested at 21–33 V FWR and 17–33 VDC

Sound Output Guide (dBA)

		UL Reverberant Room dBA @ volts DC			
			16	24	33
Temporal	Low Volume	Electromechanical	75	75	79
		3000 Hz Interrupted	75	75	79
	High Volume	Electromechanical	79	82	82
		3000 Hz Interrupted	79	82	82
Non-Temporal	Low Volume	Electromechanical	75	82	82
		3000 Hz Interrupted	79	82	85
	High Volume	Electromechanical	82	85	85
		3000 Hz Interrupted	82	85	85

Current Draw Table

Strobe Only

Candela	AVERAGE CURRENT (mA)						PEAK CURRENT (mA)						IN RUSH CURRENT (mA)					
	16V		24V		33V		16V		24V		33V		16V		24V		33V	
	DC	FWR	DC	FWR	DC	FWR	DC	FWR	DC	FWR	DC	FWR	DC	FWR	DC	FWR	DC	FWR
15	63	56	48	55	41	51	164	232	170	242	170	224	91	118	133	177	188	252
15/75	75	64	56	62	47	62	174	238	172	258	168	228	91	115	134	179	182	237
30	95	81	68	79	56	73	238	288	226	318	218	298	94	116	137	179	184	244
75	179	144	127	140	101	126	418	436	398	462	384	486	99	118	133	177	186	238
95	223	198	153	173	122	163	540	562	534	560	518	552	92	115	132	176	187	244
115	290	232	191	230	156	212	644	668	612	712	576	728	81	108	118	175	174	249
177	453	N/A	291	300	208	241	952	N/A	912	1104	872	1184	79	N/A	126	170	171	234

Horn/Strobe 15 cd

Tone	High/Low Volume	Temp Non	AVERAGE CURRENT (mA)					
			16V		24V		33V	
			DC	FWR	DC	FWR	DC	FWR
Electro-mech.	High	Temp.	78	80	71	89	70	94
		Non.	78	80	71	89	70	94
	Low	Temp.	71	69	62	74	59	77
		Non.	71	69	62	74	59	77
3000 Hz Interrupt.	High	Temp.	81	83	75	94	76	99
		Non.	81	83	75	94	76	99
	Low	Temp.	72	70	64	77	63	81
		Non.	72	70	64	77	63	81

Horn/Strobe 95 cd

Tone	High/Low Volume	Temp Non	AVERAGE CURRENT (mA)					
			16V		24V		33V	
			DC	FWR	DC	FWR	DC	FWR
Electro-mech.	High	Temp.	238	222	176	207	151	206
		Non.	238	222	176	207	151	206
	Low	Temp.	231	211	167	192	140	189
		Non.	231	211	167	192	140	189
3000 Hz Interrupt.	High	Temp.	241	225	180	212	157	211
		Non.	241	225	180	212	157	211
	Low	Temp.	232	212	169	195	144	193
		Non.	232	212	169	195	144	193

Horn/Strobe 15/75 cd

Tone	High/Low Volume	Temp Non	AVERAGE CURRENT (mA)					
			16V		24V		33V	
			DC	FWR	DC	FWR	DC	FWR
Electro-mech.	High	Temp.	90	88	79	96	76	105
		Non.	90	88	79	96	76	105
	Low	Temp.	83	77	70	81	65	88
		Non.	83	77	70	81	65	88
3000 Hz Interrupt.	High	Temp.	93	91	83	101	82	110
		Non.	93	91	83	101	82	110
	Low	Temp.	84	78	72	84	69	92
		Non.	84	78	72	84	69	92

Horn/Strobe 115 cd

Tone	High/Low Volume	Temp Non	AVERAGE CURRENT (mA)					
			16V		24V		33V	
			DC	FWR	DC	FWR	DC	FWR
Electro-mech.	High	Temp.	305	256	214	264	185	255
		Non.	305	256	214	264	185	255
	Low	Temp.	298	245	205	249	174	238
		Non.	298	245	205	249	174	238
3000 Hz Interrupt.	High	Temp.	308	259	218	269	191	260
		Non.	308	259	218	269	191	260
	Low	Temp.	299	246	207	252	178	242
		Non.	299	246	207	252	178	242

Horn/Strobe 30 cd

Tone	High/Low Volume	Temp Non	AVERAGE CURRENT (mA)					
			16V		24V		33V	
			DC	FWR	DC	FWR	DC	FWR
Electro-mech.	High	Temp.	110	105	91	113	85	116
		Non.	110	105	91	113	85	116
	Low	Temp.	103	94	82	98	74	99
		Non.	103	94	82	98	74	99
3000 Hz Interrupt.	High	Temp.	113	108	95	118	91	121
		Non.	113	108	95	118	91	121
	Low	Temp.	104	95	84	101	78	103
		Non.	104	95	84	101	78	103

Horn/Strobe 177 cd

Tone	High/Low Volume	Temp Non	AVERAGE CURRENT (mA)					
			16V		24V		33V	
			DC	FWR	DC	FWR	DC	FWR
Electro-mech.	High	Temp.	468	367	314	334	237	284
		Non.	468	367	314	334	237	284
	Low	Temp.	461	354	305	319	226	267
		Non.	461	354	305	319	226	267
3000 Hz Interrupt.	High	Temp.	471	371	318	339	243	289
		Non.	471	371	318	339	243	289
	Low	Temp.	462	356	307	322	230	271
		Non.	462	356	307	322	230	271

Horn/Strobe 75 cd

Tone	High/Low Volume	Temp Non	AVERAGE CURRENT (mA)					
			16V		24V		33V	
			DC	FWR	DC	FWR	DC	FWR
Electro-mech.	High	Temp.	194	168	150	174	130	169
		Non.	194	168	150	174	130	169
	Low	Temp.	187	157	141	159	119	152
		Non.	187	157	141	159	119	152
3000 Hz interrupt.	High	Temp.	197	171	154	179	136	174
		Non.	197	171	154	179	136	174
	Low	Temp.	188	158	143	162	123	156
		Non.	188	158	143	162	123	156

Engineering Specifications

Strobe

Strobe shall be a System Sensor SpectrAlert Model _____ listed to UL 1971 and be approved for fire protective service where ceiling mount strobes are permitted. The strobe shall be wired as a primary signaling notification appliance and shall flash at 1Hz over the strobe's entire operating range. The strobe light shall consist of a xenon flash tube and associated lens/reflector system.

Horn/Strobe Combination

Horn/strobe shall be a System Sensor SpectrAlert Model _____ listed to UL 1971 and UL 464 and be approved for fire protective service where ceiling mount horn/strobes are permitted. The horn/strobe shall be wired as a primary signaling notification appliance and shall flash at 1Hz over its entire operating range. The strobe light shall consist of a xenon flash tube and associated lens/reflector system. The horn shall have two tone options, two audibility options, and the option to switch between a temporal 3 pattern and a non-temporal continuous pattern. These options shall be selected by a multi-position switch. Strobes shall be powered independently of the sounder with the removal of factory installed jumper wires. The horn on horn/strobe models shall operate on a coded or non-coded power supply.

Note: The strobes must be powered continuously for the horn to operate.

Ordering Information

	Model No.		Voltage	Candela	Avg. Current (mA) @ 24 V	
	White	Red			DC	FWR
Ceiling Mount Strobes	SC2415W	SC2415	24	15	48	55
	SC241575W	SC241575	24	15/75	56	62
	SC241575PW (plain)	SC241575P (plain)	24	15/75	56	62
	SC2430W	SC2430	24	30	68	79
	SC2475W	SC2475	24	75	127	140
	SC2495W	SC2495	24	95	153	173
	SC24115W	SC24115	24	115	191	230
	SC24177W	SC24177	24	177	291	300
Ceiling Mount Horns/Strobes*	PC2415W	PC2415	24	15	71	89
	PC241575W	PC241575	24	15/75	79	96
	PC241575PW (plain)	PC241575P (plain)	24	15/75	79	96
	PC2430W	PC2430	24	30	91	113
	PC2475W	PC2475	24	75	150	174
	PC2495W	PC2495	24	95	176	207
	PC24115W	PC24115	24	115	214	264
	PC24177W	PC24177	24	177	314	334
Sync-Circuit Module	MDLW	MDL	-	-	11	15
Surface-mount back box skirt	BBSCW	BBSC	-	-	-	-

*Horn/strobe current draws assume horn is set at temporal 3, electromechanical tone, and high audibility.

System Sensor Sales and Service

System Sensor Headquarters
3825 Ohio Avenue
St. Charles, IL 60174
Ph: 800-SENSOR2
Fx: 630/377-6495
Documents On Demand:
1-800-736-7672 x3
Web: www.systemsensor.com

System Sensor in Canada
Ph: 905.812.0767
Fx: 905.812.0771

System Sensor in Europe
Ph: + 44.1403.276500
Fx: + 44.1403.276501

System Sensor in China
Ph: + 86.29.524.6253
Fx: + 86.29.524.6259

System Sensor in Singapore
Ph: + 65.273.2230
Fx: + 65.273.2610

System Sensor in the Far East
Ph: + 852.21919003
Fx: + 852.27366580

System Sensor in Australia
Ph: + 613.54.281.142
Fx: + 613.54.281.172

System Sensor in India
Ph: + 91.11.558.2119
Fx: + 91.11.567.6815