



Model 5895XL Intelligent Power Module



The intelligent way to distribute power throughout your installation

With 5.0 amps of output power, six programmable Flexput™ I/O circuits, and two Form C relay contacts, the Model 5895XL Intelligent Power Module allows you to greatly enhance the capabilities of an IntelliKnight system, distributing power where needed throughout a facility.

5895XL modules connect via the RS 485 system bus. Up to eight 5895XL modules can be used per IntelliKnight system. Each 5895XL has its own optically isolated RS 485 bus to which other modules, such as 5860 remote annunciators and 5824 printer interface modules, can be connected. You can also connect 5815XL SLC expansion modules, adding flexibility and wiring distance. Each 5895XL supports its own backup batteries and monitors the AC power.

Model 5895XL Intelligent Power Module

The Model 5895XL adds 5.0 amps of power, six Flexput I/O circuits, and two Form C relay circuits to an IntelliKnight installation. The 5895XL is optically isolated providing ground loop isolation and transient protection. The 5895XL conditions the RS 485 system bus allowing an additional 6,000 feet of wiring.

Operation

The green LED on the 5895XL board indicates communication with the IntelliKnight FACP.

The Flexput™ circuits can be notification appliance circuits, continuous power, resettable power, door holder power or initiation circuits that can support both 2- and 4-wire smoke detectors. All Flexput™ circuits and relay outputs are individually mappable from the IntelliKnight 5820XL FACP.

Features

- 5.0A output power
- Flexput I/O circuits, 3A each, programmable as notification circuits, auxiliary power circuits, or initiation circuits.
- Supports Class A configuration

for SBUS & Flexput circuits

- 2 Form C programmable relays rated at 2.5A at 24 VDC
- Ground loop isolation
- Transient protection
- SBUS repeater conditions the RS 485 signal
- 6,000 feet wiring distance from 5895XL (same distance as main FACP)
- Large cabinet can house two 17 amp hour batteries
- UL 864 listed, complies with NFPA 72 and 101
- CSFM
- MEA 429-92-E, Vol. 9
- FM approved

Specifications

Primary AC: 120 VRMS @
60 hz, 2.5 A

Total Accessory
Load: 5A @ 24 VDC

Current:
Standby 40 mA
Alarm 160 mA

I/O Circuit



**SILENT
KNIGHT**



Model 5895XL

Power: 3A per circuit (5A
total per system)

Flush Mount
Dimensions:
14-1/2"W x 24-3/4"H x 3-7/8"D
(36.8 W x 62.9 H x 9.8 D cm)

Overall Dimensions:
16-1/8"W x 26-3/8"H x 4-1/8"D
(40.6 W x 67 H x 11.8 D cm)

Color: Red

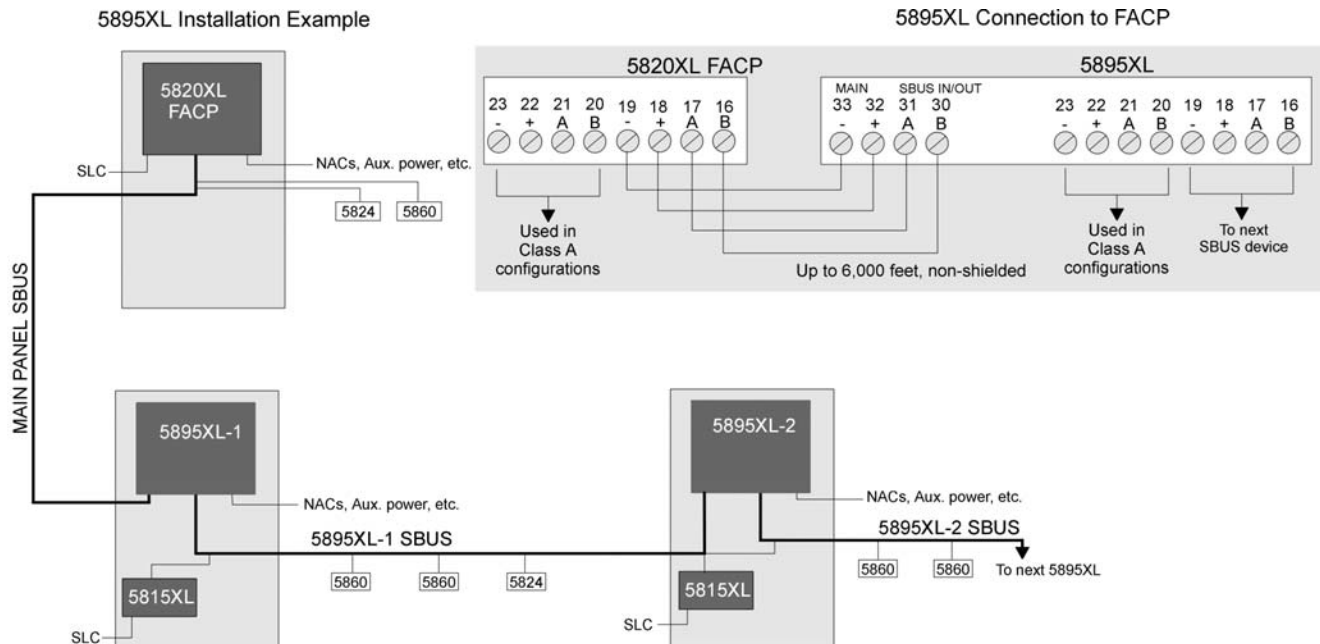
Model 5895XL Intelligent Power Module



Engineering Specifications

The contractor shall supply a power module compatible with the IntelliKnight Model 5820XL FACP. The power module must have 5.0 amps of output power, Flexput I/O circuits rated 3.0 amps each, and two Form C relay contacts rated at 2.5 amps at 24 VDC. The power module shall connect to the main FACP via an RS 485 system bus (SBUS). The power module shall contain an additional RS 485 bus that is completely compatible with all IntelliKnight add-on modules, including 5815XL SLC Expanders, 5860 Remote Annunciators, 5824 Serial/Parallel Modules.

The power module RS 485 bus shall be optically isolated providing ground loop isolation and transient protection. The unit shall be an SBUS repeater that conditions the signal driving 6,000 feet of additional wiring.



**SILENT
KNIGHT**

7550 Meridian Circle, Maple Grove, MN 55369-4927

800-446-6444 or in Minnesota 763-493-6435

FAX: 763-493-6475

World Wide Web: <http://www.silentknight.com>

MADE IN AMERICA

FORM# 350212, Rev. 09/01

Copyright © 2001 Silent Knight

IntelliKnight is a Registered Trademark of Silent Knight
Flexput is a Trademark of Silent Knight